

Water Quality Measuring ON-LINE System



Dae Yoon Scale Industry Co., Ltd.

Since 1982



Dae Yoon Scale Industrial Co., Ltd.

Table of Contents

Water Quality Measuring On-Line System

| | |
|-----------------------|-----|
| pH analyzer | _04 |
| ORP analyzer | _08 |
| Conductivity analyzer | _12 |
| DO analyzer | _16 |
| MLSS analyzer | _20 |
| SS analyzer | _23 |
| Turbidity analyzer | _26 |
| Mounting Example | _29 |

Measuring & Testing Equipment

| | |
|---|-----|
| Concrete Air-Meter (DYA-107) | _33 |
| Portable Chloride Meter for Fresh Concrete (DY-2501A) | _34 |
| Portable Chloride Meter for Hardened Concrete (DY-2501B) | _35 |
| Portable Chloride Meter(coulometric titration) for Fresh Concrete (DY-2504A) | _36 |
| Portable Chloride Meter(coulometric titration) for Hardened Concrete (DY-2504B) | _37 |

Aquariums & Pets Supply

| | |
|--------------------------------|-----|
| Digital Marine Tester (DMT-10) | _38 |
|--------------------------------|-----|

Home & Industrial Measurement

| | |
|------------------------------|-----|
| Digital Salt Tester (DMT-20) | _39 |
| Digital Salt Checker | _40 |
| Digital Thermometer (HDT-1) | _41 |

About us

Dear Sir / Madam,
Good day to you!!!

Our company was founded in 1982 and is specialized in electrochemical sensors and industrial measuring instruments. We aim to maximize our company value through wide experience and the management for customer satisfaction as a leader in the field. Our company is producing high quality products through strict inspection.

We feel you maybe interested in our products and would like to briefly introduce them as follows:
Please see attached our Product Lines.

Thanks a lot.

DWA-3000A pH Analyzer



The pH controller (DWA-3000A pH) Wall mount microprocessor has been built and designed to provide years of trouble free operation, It is designed mounted on a wall and is designed to be connected and calibrated to various levels of pH.

This pH controller features fully automatic temperature compensation (Displayed on screen) and accuracy to within ±0.01 pH of full scale,

| Specifications | |
|----------------|---|
| MODEL | DWA-3000A pH |
| Channel | Single Channel |
| Range | 0-14 pH (Resolution 0.01) |
| Power | AC 110/220v 50/60Hz |
| Accuracy | ±0.01 pH of Full Scale |
| Response Time | 30 Seconds (90% Saturation) |
| Analog Output | Isolated 4-20mA DC (Std.) / 0~20mA, 0~24(Opt.) |
| Digital Output | RS-232C (Std.) / RS-485 (Opt.) |
| Relay Output | High, High / High / Low / Low, Low & Cleaning |
| Display | Trend graph, Measuring value, Measuring status, Temperature, Unit |
| Humidity | Max 90% (Non Condensing) |
| IP Rating | IP65 (NEMA 4X) |
| Size | 240mm(W) x 185mm(H) x 115(D) |
| Installation | Wall Mounting |

Control

When control of pH is required, this controller features a high and low relay output contact, or 4-20mA output which can be utilised to control both alkaline and/or acid dosing control

Alarms

When indication of alarms is required the DWA-3000A has a H,H/H/L/L,L & Cleaning which can be connected to warning lights or audible alarms to ensure an operator checks on the plant

Probe Cleaning Output

The added feature that this controller has, compared to others in the market is a probe clean relay output, which can be utilised to control a solenoid for air or water jet cleaning of the probe surface. (Especially useful in waste / industrial water plants)

DWA-3000B pH Analyzer



The pH controller (DWA-3000B pH) Wall mount microprocessor has been built and designed to provide years of trouble free operation, It is designed mounted on a wall and is designed to be connected and calibrated to various levels of pH.

This pH controller features fully automatic temperature compensation (Displayed on screen) and accuracy to within ±0.01 pH of full scale,

| Specifications | |
|----------------|---|
| MODEL | DWA-3000B pH |
| Channel | Single Channel |
| Range | 0-14 pH (Resolution 0.01) |
| Power | AC 110/220v 50/60Hz |
| Accuracy | ±0.01 pH of Full Scale |
| Response Time | 30 Seconds (90% Saturation) |
| Analog Output | Isolated 4-20mA DC (Std.) / 0~20mA, 0~24(Opt.) |
| Digital Output | RS-232C (Std.) / RS-485 (Opt.) |
| Relay Output | High, Low, Selection & Cleaning |
| Display | Trend graph, Measuring value, Measuring status, Temperature, Unit |
| Humidity | Max 90% (Non Condensing) |
| IP Rating | IP65 (NEMA 4X) |
| Size | 155mm(W) x 155mm(H) x 138(D) |
| Installation | (DIN 144) Panel Mounting |

Control

When control of pH is required, this controller features a high and low relay output contact, or 4-20mA output which can be utilised to control both alkaline and/or acid dosing control

Alarms

When indication of alarms is required the DWA-3000B has a High, Low, Selection & Cleaning which can be connected to warning lights or audible alarms to ensure an operator checks on the plant

Probe Cleaning Output

The added feature that this controller has, compared to others in the market is a probe clean relay output, which can be utilised to control a solenoid for air or water jet cleaning of the probe surface. (Especially useful in waste / industrial water plants)

DWA-2000A pH Analyzer



The pH controller (DWA-2000A pH) Wall mount microprocessor has been built and designed to provide years of trouble free operation, It is designed mounted on a wall and is designed to be connected and calibrated to various levels of pH.

This pH controller features fully automatic temperature compensation (Displayed on screen) and accuracy to within ±0.01 pH of full scale,

| Specifications | |
|----------------|--|
| MODEL | DWA-2000A pH |
| Channel | Single Channel |
| Range | 0-14 pH (Resolution 0.01) |
| Power | AC 110/220v 50/60Hz |
| Accuracy | ±0.01 pH of Full Scale |
| Response Time | 30 Seconds (90% Saturation) |
| Analog Output | Isolated 4-20mA DC (Std.) |
| Digital Output | None |
| Relay Output | High, Low & Cleaning |
| Display | 7 - Segment Output : measured value, Temperature |
| Humidity | Max 90% (Non Condensing) |
| IP Rating | IP54 |
| Size | 96mm(W) x 96mm(H) x 125(D) |
| Installation | (DIN 96) Panel Mounting |

Control

When control of pH is required, this controller features a high and low relay output contact, or 4-20mA output which can be utilised to control both alkaline and/or acid dosing control

Alarms

When indication of alarms is required the DWA-2000A has a High, Low & Cleaning which can be connected to warning lights or audible alarms to ensure an operator checks on the plant

Probe Cleaning Output

The added feature that this controller has, compared to others in the market is a probe clean relay output, which can be utilised to control a solenoid for air or water jet cleaning of the probe surface. (Especially useful in waste / industrial water plants)

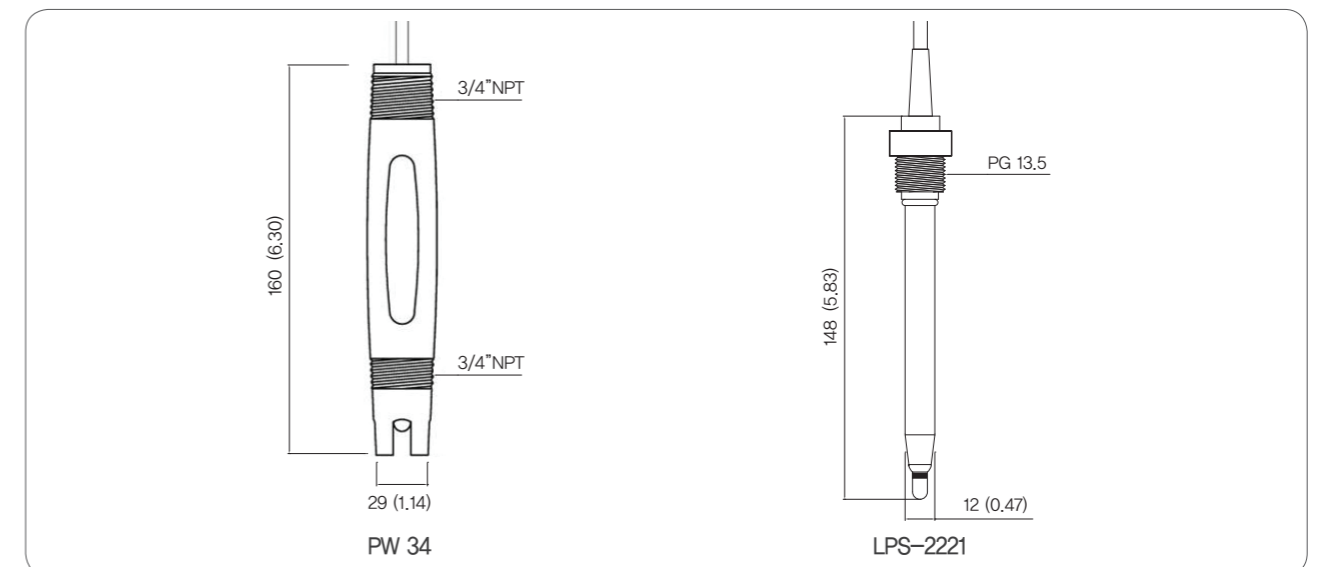
pH Sensor



| Model | PW34 |
|---------------|-----------------------------|
| Application | Wastewater, Sewage, General |
| Range | 0 ~ 14 pH |
| Temp. Range | 0 ~ 110°C |
| Temp. Sensor | PT1000 |
| Pressure | Max. 6kgf/cm ² |
| Body Material | PPS |
| Cable | 10M (32.8ft) |
| Size | 29Φ X 160 mm |
| Thread | 3/4 inch NPT |
| Holder | Submersion/Flow-through |
| IP Rating | IP68 |

| Model | LPS2221 |
|---------------|---------------------------|
| Application | Ultrapure water |
| Range | 0 ~ 14 pH |
| Temp. Range | 0 ~ 80°C |
| Temp. Sensor | PT1000 |
| Pressure | Max. 6kgf/cm ² |
| Body Material | PPS |
| Cable | 9M (29.5ft) |
| Size | 12Φ X 148 mm |
| Thread | PG 13.5 |
| Holder | Submersion/Flow-through |
| IP Rating | IP68 |

pH Dimensions



DWA-3000A ORP Analyzer



The ORP controller (DWA-3000A ORP) Wall mount microprocessor has been built and designed to provide years of trouble free online operation It is designed to be mounted on a wall and is engineered to be connected and calibrated to various levels of ORP sensors.

This ORP controller features fully automatic temperature compensation (Displayed on screen) and accuracy to within 1mV of full scale,

| Specifications | |
|----------------|---|
| MODEL | DWA-3000A ORP |
| Channel | Single Channel |
| Range | ±2,000 (Resolution : 0.1mV) |
| Power | AC 110/220v 50/60Hz |
| Accuracy | ±1mV of Full Scale |
| Response Time | 60 Seconds (90% Saturation) |
| Analog Output | Isolated 4-20mA DC (Std.) / 0~20mA, 0~24(Opt.) |
| Digital Output | RS-232C (Std.) / RS-485 (Opt.) |
| Relay Output | High, High / High / Low / Low, Low & Cleaning |
| Display | Trend graph, Measuring value, Measuring status, Temperature, Unit |
| Humidity | Max 90% (Non Condensing) |
| IP Rating | IP65 (NEMA 4X) |
| Size | 240mm(W) x 185mm(H) x 115(D) |
| Installation | Wall Mounting |

Control

When control of ORP is required, this controller features a high and low relay output contact, or 4-20mA output which can be utilised to control chlorine dosing pumps or ozone generation which can utilise ORP control

Alarms

When indication of alarms is required the DWA-3000A has a H,H/H/L/L,L & Cleaning which can be connected to warning lights or audible alarms to ensure an operator checks on the plant

Probe Cleaning Output

The added feature that this controller has, compared to others in the market is a probe clean relay output, which can be utilised to control a solenoid for air or water jet cleaning of the probe surface. (Especially useful in waste / industrial water plants)

DWA-3000B ORP Analyzer



The ORP controller (DWA-3000B ORP) Panel mount microprocessor has been and designed to provide years of trouble free continuous online operation, It is designed to be only mounted in a panel and is designed to be connected and calibrated to various levels of ORP probes.

This ORP controller features fully automatic temperature compensation (Displayed on screen) and accuracy to within 1mV of full scale,

| Specifications | |
|----------------|---|
| MODEL | DWA-3000B ORP |
| Channel | Single Channel |
| Range | ±2,000 (Resolution : 0.1mV) |
| Power | AC 110/220v 50/60Hz |
| Accuracy | ±1mV of Full Scale |
| Response Time | 60 Seconds (90% Saturation) |
| Analog Output | Isolated 4-20mA DC (Std.) / 0~20mA, 0~24(Opt.) |
| Digital Output | RS-232C (Std.) / RS-485 (Opt.) |
| Relay Output | High, Low, Selection & Cleaning |
| Display | Trend graph, Measuring value, Measuring status, Temperature, Unit |
| Humidity | Max 90% (Non Condensing) |
| IP Rating | IP65 (NEMA 4X) |
| Size | 155mm(W) x 155mm(H) x 138(D) |
| Installation | (DIN 144) Panel Mounting |

Control

When control of ORP is required, this controller features a high and low relay output contact, or 4-20mA output which can be utilised to control chlorine dosing pumps or ozone generation which can utilise ORP control

Alarms

When indication of alarms is required the DWA-3000B has a High, Low, Selection & Cleaning which can be connected to warning lights or audible alarms to ensure an operator checks on the plant

Probe Cleaning Output

The added feature that this controller has, compared to others in the market is a probe clean relay output, which can be utilised to control a solenoid for air or water jet cleaning of the probe surface. (Especially useful in waste / industrial water plants)

DWA-2000A ORP Analyzer



The ORP controller (DWA-2000A ORP) Panel mount microprocessor has been built and designed to provide years of trouble free operation, It is designed to be only mounted in a panel and is designed to be connected and calibrated to various levels of ORP probes.

This ORP controller features fully automatic temperature compensation and accuracy to within $\pm 1\text{mV}$ of full scale,

| Specifications | |
|----------------|--|
| MODEL | DWA-2000A ORP |
| Channel | Single Channel |
| Range | $\pm 2,000$ (Resolution : 0.1mV) |
| Power | AC 110/220v 50/60Hz |
| Accuracy | $\pm 1\text{mV}$ of Full Scale |
| Response Time | 60 Seconds (90% Saturation) |
| Analog Output | Isolated 4-20mA DC (Std.) / 0~20mA, 0~24(Opt.) |
| Digital Output | None |
| Relay Output | High, Low & Cleaning |
| Display | 7-Segment Output : Measured |
| Humidity | Max 90% (Non Condensing) |
| IP Rating | IP65 (NEMA 4X) |
| Size | 96mm(W) x 96mm(H) x 125(D) |
| Installation | (DIN 144) Panel Mounting |

Control

When control of ORP is required, this controller features a high and low relay output contact, or 4-20mA output which can be utilised to control chlorine dosing pumps or ozone generation which utilise ORP control

Alarms

When indication of alarms is required the DWA-2000A has a High, Low & Cleaning which can be connected to warning lights or audible alarms to ensure an operator checks on the plant

Probe Cleaning Output

The added feature that this controller has, compared to others in the market is a probe clean relay output, which can be utilised to control a solenoid for air or water jet cleaning of the probe surface. (Especially useful in waste / industrial water plants)

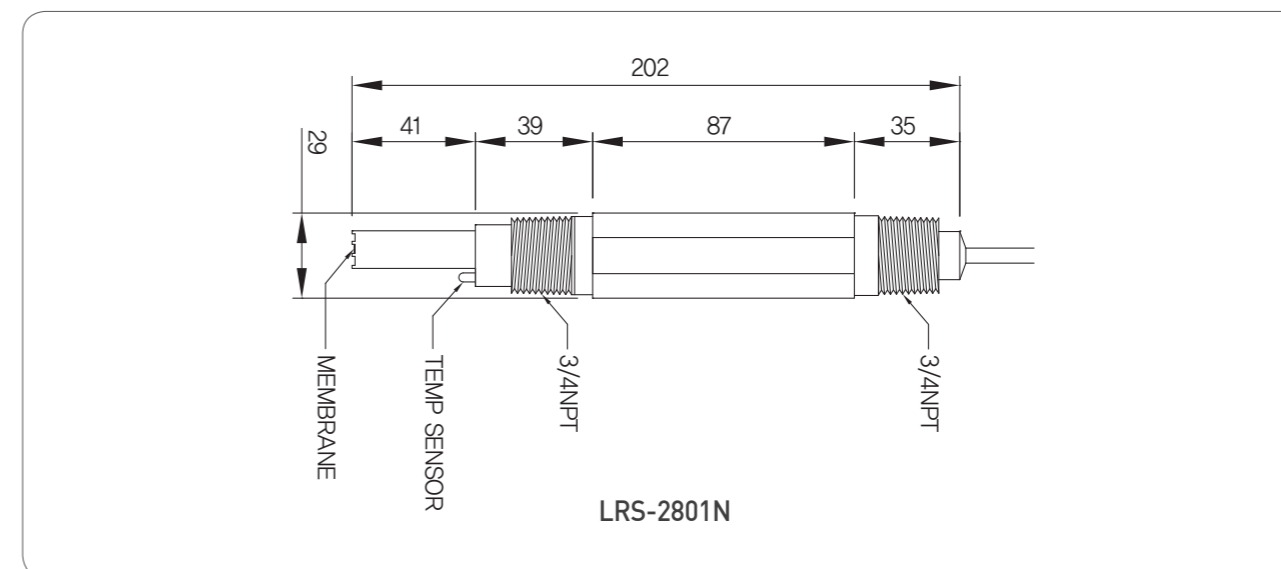
ORP Sensor



| Model | LRS-2801N |
|---------------|-----------------------------|
| Application | Wastewater, Sewage, General |
| Range | -2,000 ~ +2,000 mV |
| Temp. Range | 0 ~ 110°C |
| Temp. Sensor | PT1000 |
| Pressure | Max. 6kgf/cm ² |
| Body Material | PPS |
| Cable | 10M (32.8ft) |
| Size | 33Φ X 151mm |
| Thread | 3/4 inch NPT |
| Holder | Submersion/Flow-through |
| IP Rating | IP68 |

| Model | LR-58P |
|---------------|---------------------------|
| Application | Ultrapure water |
| Range | -420 ~ +420 mV |
| Temp. Range | 0 ~ 110°C |
| Temp. Sensor | PT1000 |
| Pressure | Max. 6kgf/cm ² |
| Body Material | PPS |
| Cable | 7M (22.9ft) |
| Size | 29Φ X 160mm |
| Thread | 3/4 inch NPT |
| Holder | Submersion/Flow-through |
| IP Rating | IP68 |

ORP Dimensions



DWA-3000A Conductivity Analyzer



The conductivity controller (DWA-3000A CD) Wall mount microprocessor has been built and designed to provide years of trouble free operation, It is designed mounted on a wall and is designed to be connected and calibrated to various levels of conductivity probes.

See probes later in this specification, This conductivity controller features fully automatic temperature compensation (Displayed on screen) and accuracy to within 1% of full scale,

| Specifications | |
|----------------|---|
| MODEL | DWA-3000A CD |
| Channel | Single Channel |
| Range | 0 ~ 2,000uS/cm (Resolution 0.01uS/cm) |
| Power | AC 110/220v 50/60Hz |
| Accuracy | ±1% of Full Scale |
| Response Time | 10 Seconds (90% Saturation) |
| Analog Output | Isolated 4-20mA DC (Std.) / 0~20mA, 0~24(Opt.) |
| Digital Output | RS-232C (Std.) / RS-485 (Opt.) |
| Relay Output | High, High / High / Low / Low, Low & Cleaning |
| Display | Trend graph, Measuring value, Measuring status, Temperature, Unit |
| Humidity | Max 90% (Non Condensing) |
| IP Rating | IP65 (NEMA 4X) |
| Size | 240mm(W) x 185mm(H) x 115(D) |
| Installation | Wall Mounting |

Control

When control of conductivity is required, this controller features a high and low volt free relay output contact, or 4-20mA output which can be utilised to open dump valves, stop / start reverse osmosis systems

Alarms

When indication of alarms is required the DWA-3000A has a H,H/H/L,L,L & Cleaning which can be connected to warning lights or audible alarms to ensure an operator checks on the plant

Probe Cleaning Output

The added feature that this controller has, compared to others in the market is a probe clean relay output, which can be utilised to control a solenoid for air or water jet cleaning of the probe surface. (Especially useful in waste / industrial water plants)

DWA-3000B Conductivity Analyzer



The conductivity controller (DWA-3000B CD) Panel mount microprocessor has been built and designed to provide years of trouble free operation, It is designed to be only mounted in a panel and is designed to be connected and calibrated to various levels of conductivity probes.

This conductivity controller features fully automatic temperature compensation (Displayed on screen) and accuracy to within 1% of full scale,

| Specifications | |
|----------------|---|
| MODEL | DWA-3000B CD |
| Channel | Single Channel |
| Range | 0 ~ 2,000uS/cm (Resolution 0.01uS/cm) |
| Power | AC 110/220v 50/60Hz |
| Accuracy | ±1% of Full Scale |
| Response Time | 10 Seconds (90% Saturation) |
| Analog Output | Isolated 4-20mA DC (Std.) / 0~20mA, 0~24(Opt.) |
| Digital Output | RS-232C (Std.) / RS-485 (Opt.) |
| Relay Output | Higt, Low, Selection & Cleaning |
| Display | Trend graph, Measuring value, Measuring status, Temperature, Unit |
| Humidity | Max 90% (Non Condensing) |
| IP Rating | IP65 (NEMA 4X) |
| Size | 155mm(W) x 155mm(H) x 138(D) |
| Installation | (DIN 144) Panel Mounting |

Control

When control of conductivity is required, this controller features a high and low volt free relay output contact, or 4-20mA output which can be utilised to open dump valves, stop / start reverse osmosis systems

Alarms

When indication of alarms is required the DWA-3000B has a High, Low, Selection & Cleaning which can be connected to warning lights or audible alarms to ensure an operator checks on the plant

Probe Cleaning Output

The added feature that this controller has, compared to others in the market is a probe clean relay output, which can be utilised to control a solenoid for air or water jet cleaning of the probe surface. (Especially useful in waste / industrial water plants)

DWA-2000A Conductivity Analyzer



The conductivity controller (DWA-2000A CD) Panel mount microprocessor has been built and designed to provide years of trouble free operation, it has proven itself in the boiler industry and reverse osmosis and desalination manufacturing OEM markets. Designed to operate on all conductivity levels from pure water to sea water It is designed to be mounted in a panel and is designed to be connected and calibrated to various levels of conductivity probes.

This conductivity controller features fully automatic temperature compensation and accuracy to within 1% of full scale,

| Specifications | |
|----------------|--|
| MODEL | DWA-2000A CD |
| Channel | Single Channel |
| Range | 0 ~ 2,000uS/cm (Resolution 0.01uS/cm) |
| Power | AC 110/220v 50/60Hz |
| Accuracy | ±1% of Full Scale |
| Response Time | 30 Seconds (90% Saturation) |
| Analog Output | Isolated 4-20mA DC (Std.) |
| Digital Output | None |
| Relay Output | High, Low & Cleaning |
| Display | 7 - Segment Output : measured value, Temperature |
| Humidity | Max 90% (Non Condensing) |
| IP Rating | IP54 |
| Size | 96mm(W) x 96mm(H) x 125(D) |
| Installation | (DIN 96) Panel Mounting |

Control

When control of conductivity is required, this controller features a high and low volt free relay output contact, or 4-20mA output which can be utilised to open dump valves, stop / start reverse osmosis systems

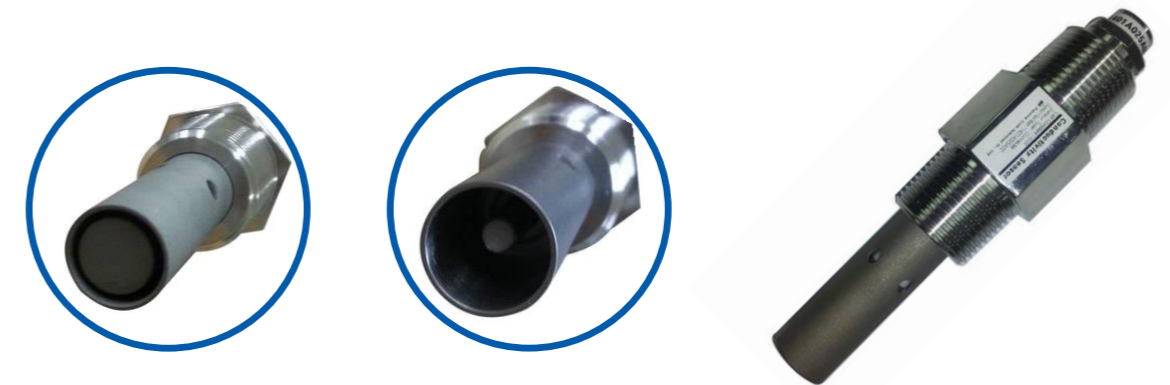
Alarms

When indication of alarms is required the DWA-2000A has a High, Low & Cleaning which can be connected to warning lights or audible alarms to ensure an operator checks on the plant

Probe Cleaning Output

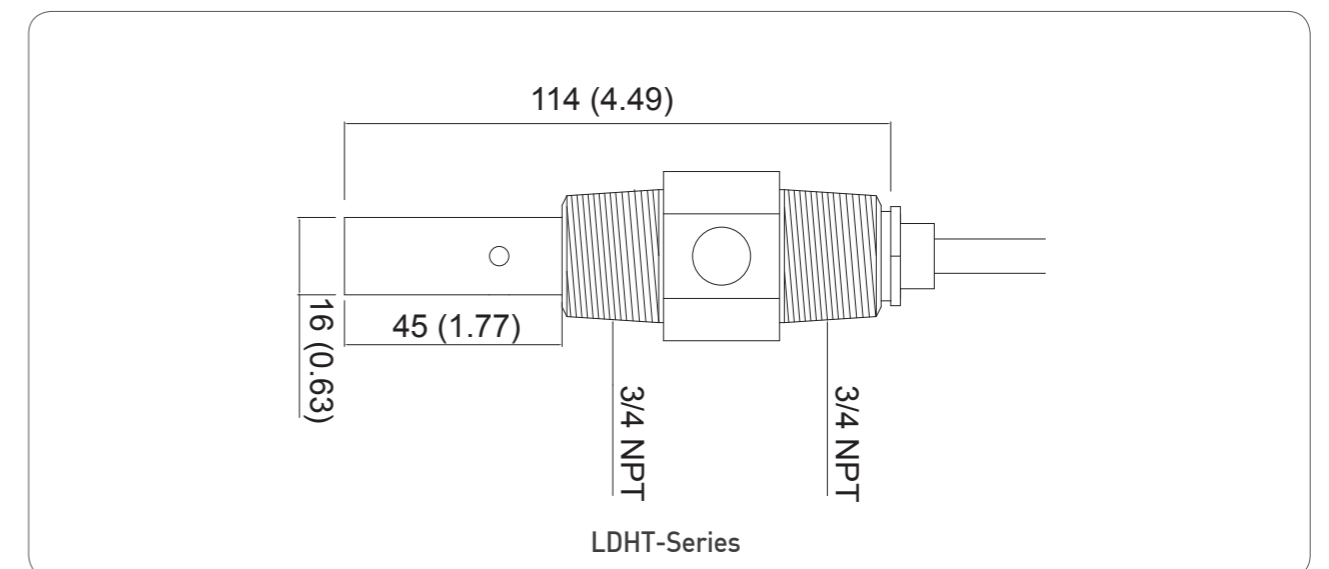
The added feature that this controller has, compared to others in the market is a probe clean relay output, which can be utilised to control a solenoid for air or water jet cleaning of the probe surface. (Especially useful where high contamination exists)

Conductivity Sensor



| Model | LDHT-001 | LDHT-01 | LDHT-1 |
|---------------|--|--|--|
| Cell Constant | 0.01cm ⁻¹ | 0.1cm ⁻¹ | 1cm ⁻¹ |
| Application | Power Plant, PLC/LCD Fabrication Process, Filter Bed Process | Power Plant, PLC/LCD Fabrication Process, Filter Bed Process | Water & Sewage water Quality Management, Purification plant Cooling Tower Process, Seawater Infiltration Management. |
| Range | 0~20 uS/cm | 0~200 uS/cm | 0~2,000 uS/cm |
| Temp. Range | 0 ~ 110°C | 0 ~ 110°C | 0 ~ 110°C |
| Temp. Sensor | PT1000 | PT1000 | PT1000 |
| Pressure | Max. 10kgf/cm ² | Max. 10kgf/cm ² | Max. 10kgf/cm ² |
| Body Material | Titanium | Titanium | Titanium |
| Cable | 10M (32.8ft) | 10M (32.8ft) | 10M (32.8ft) |
| Size | 16Φ X 114 mm | 16Φ X 114 mm | 16Φ X 114 mm |
| Thread | 3/4 inch NPT | 3/4 inch NPT | 3/4 inch NPT |
| Holder | Submersion/Flow-through | Submersion/Flow-through | Submersion/Flow-through |
| IP Rating | IP68 | IP68 | IP68 |

Conductivity Dimensions



DWA-3000A Dissolved Oxygen Analyzer



The Dissolved Oxygen controller (DWA-3000A DO) Wall mount microprocessor has been built and designed to provide years of trouble free online operation It is designed to be mounted on a wall and is engineered to be connected and calibrated to various levels of DO sensors.

This DO controller features fully automatic temperature compensation (Displayed on screen) and accuracy to within $\pm 1\text{mV}$ of full scale,

| Specifications | |
|----------------|---|
| MODEL | DWA-3000A DO |
| Channel | Single Channel |
| Range | 0~20mg/L (Resolution : 0.01mg/L) |
| Power | AC 110/220v 50/60Hz |
| Accuracy | $\pm 1\text{mV}$ of Full Scale |
| Response Time | 120 Seconds (90% Saturation) |
| Analog Output | Isolated 4-20mA DC (Std.) / 0~20mA, 0~24(Opt.) |
| Digital Output | RS-232C (Std.) / RS-485 (Opt.) |
| Relay Output | High,High / High / Low / Low,Low / Cleaning |
| Display | Trend graph, Measuring value, Measuring status, Temperature, Unit |
| Humidity | Max 90% (Non Condensing) |
| IP Rating | IP65 (NEMA 4X) |
| Size | 240mm(W) x 185mm(H) x 115(D) |
| Installation | Wall Mounting |

Control

When control of DO (dissolved oxygen) is required, this controller features a high and low relay output contact, or 4-20mA output which can be utilised to control aerators or air injection pumps

Alarms

When indication of alarms is required the DWA-3000A has a H,H/H/L/L,L & Cleaning which can be connected to warning lights or audible alarms to ensure an operator checks on the plant

Probe Cleaning Output

The added feature that this controller has, compared to others in the market is a probe clean relay output, which can be utilised to control a solenoid for air or water jet cleaning of the probe surface. (Especially useful in waste / industrial water plants)

DWA-3000B Dissolved Oxygen Analyzer



The Dissolved Oxygen controller (DWA-3000B DO) Panel mount microprocessor has been built and designed to provide years of trouble free continuous online operation, It is designed to be only mounted in a panel and is designed to be connected and calibrated to various levels of DO probes.

This DO controller features fully automatic temperature compensation (Displayed on screen) and accuracy to within $\pm 1\text{mV}$ of full scale,

| Specifications | |
|----------------|---|
| MODEL | DWA-3000B DO |
| Channel | Single Channel |
| Range | 0~20mg/L (Resolution : 0.01mg/L) |
| Power | AC 110/220v 50/60Hz |
| Accuracy | $\pm 1\text{mV}$ of Full Scale |
| Response Time | 60 Seconds (90% Saturation) |
| Analog Output | Isolated 4-20mA DC (Std.) / 0~20mA, 0~24(Opt.) |
| Digital Output | RS-232C (Std.) / RS-485 (Opt.) |
| Relay Output | High, Low, Selection & Cleaning |
| Display | Trend graph, Measuring value, Measuring status, Temperature, Unit |
| Humidity | Max 90% (Non Condensing) |
| IP Rating | IP65 (NEMA 4X) |
| Size | 155mm(W) x 155mm(H) x 138(D) |
| Installation | (DIN 144) Panel Mounting |

Control

When control of DO (dissolved oxygen) is required, this controller features a high and low relay output contact, or 4-20mA output which can be utilised to control aerators or air injection pumps

Alarms

When indication of alarms is required the DWA-3000B has a High, Low, Selection & Cleaning which can be connected to warning lights or audible alarms to ensure an operator checks on the plant

Probe Cleaning Output

The added feature that this controller has, compared to others in the market is a probe clean relay output, which can be utilised to control a solenoid for air or water jet cleaning of the probe surface. (Especially useful in waste / industrial water plants)

DWA-2000A Dissolved Oxygen Analyzer



The Dissolved Oxygen controller (DWA-2000A DO) Panel mount microprocessor has been built and designed to provide years of trouble free operation, It is designed to be only mounted in a panel and is designed to be connected and calibrated to various levels of DO probes.

This DO controller features fully automatic temperature compensation and accuracy to within 1mV of full scale,

| Specifications | |
|----------------|--|
| MODEL | DWA-2000A DO |
| Channel | Single Channel |
| Range | 0~20mg/L (Resolution : 0.01mg/L) |
| Power | AC 110/220v 50/60Hz |
| Accuracy | ±1mV of Full Scale |
| Response Time | 60 Seconds (90% Saturation) |
| Analog Output | Isolated 4-20mA DC (Std.) / 0~20mA, 0~24(Opt.) |
| Digital Output | None |
| Relay Output | High, Low & Cleaning |
| Display | 7-Segment Output: Measured |
| Humidity | Max 90% (Non Condensing) |
| IP Rating | IP65 (NEMA 4X) |
| Size | 96mm(W) x 96mm(H) x 125(D) |
| Installation | (DIN 144) Panel Mounting |

Control

When control of DO (dissolved oxygen) is required, this controller features a high and low relay output contact, or 4-20mA output which can be utilised to control aerators or air injection pumps

Alarms

When indication of alarms is required the DWA-2000A has a High, Low & Cleaning which can be connected to warning lights or audible alarms to ensure an operator checks on the plant

Probe Cleaning Output

The added feature that this controller has, compared to others in the market is a probe clean relay output, which can be utilised to control a solenoid for air or water jet cleaning of the probe surface. (Especially useful in waste / industrial water plants)

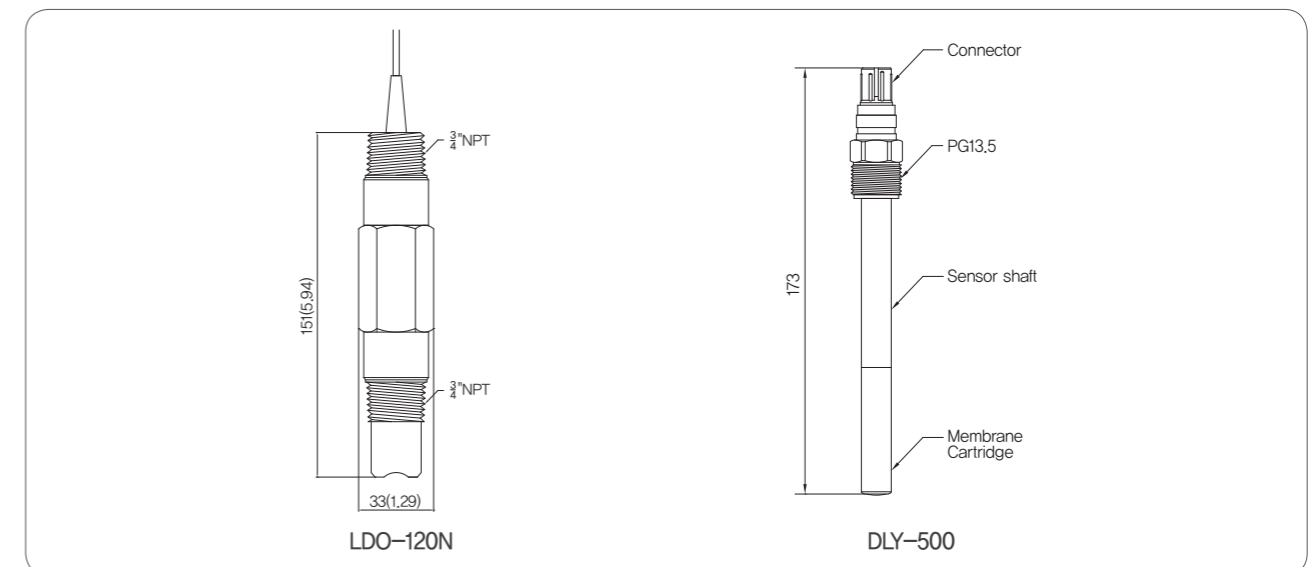
DO Sensor



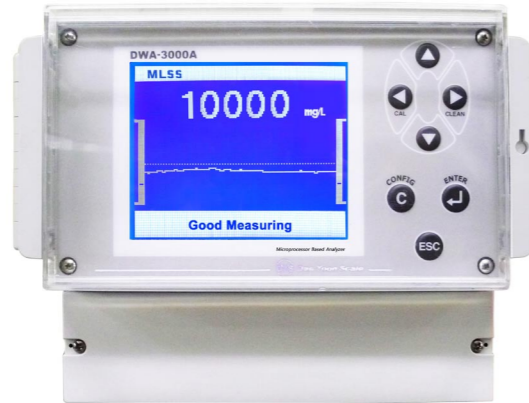
| Model | LDO-120N |
|---------------|--|
| Application | Water Purification, Sewage, Wastewater |
| Range | 0~20mg/L |
| Temp. Range | 0 ~ 80 °C |
| Temp. Sensor | PT1000 |
| Pressure | Max. 4kgf/cm ² |
| Body Material | PPS |
| Cable | 10M (32.8ft) |
| Size | 29Φ X 202 mm |
| Diaphragm | Replacement |
| Thread | 3/4 inch NPT |
| Holder | Submersion/Flow-through |
| IP Rating | IP68 |

| Model | DLY-500 |
|---------------|--------------------------------------|
| Application | Ultrapure water (Demi Water Process) |
| Range | 2~20,000 ppb |
| Temp. Range | 0 ~ 80 °C |
| Temp. Sensor | PT1000 |
| Pressure | Max. 4kgf/cm ² |
| Body Material | Stainless steel |
| Cable | 10M (32.8ft) |
| Size | 12Φ X 173 mm |
| Diaphragm | Replacement |
| Thread | PG 13.5 |
| Holder | Submersion/Flow-through |
| IP Rating | IP68 |

DO Dimensions



DWA-3000A Mixed Liquor Suspended Solids Analyzer



The MLSS controller (DWA-3000A MLSS) Wall mount microprocessor has been built and designed to provide years of trouble free online operation, It is designed to be mounted on a wall and is engineered to be connected and calibrated to various levels of MLSS sensors.

This MLSS controller features fully automatic temperature compensation (Displayed on screen) and accuracy to within $\pm 2\%$ of full scale,

| Specifications | |
|----------------|---|
| MODEL | DWA-3000A MLSS |
| Channel | Single Channel |
| Range | 0~20,000mg/L (Resolution : 0.001mg/L) |
| Power | AC 110/220v 50/60Hz |
| Accuracy | $\pm 2\%$ of Full Scale |
| Response Time | 30 Seconds (90% Saturation) |
| Analog Output | Isolated 4-20mA DC (Std.) / 0~20mA, 0~24(Opt.) |
| Digital Output | RS-232C (Std.) / RS-485 (Opt.) |
| Relay Output | High,High / High / Low / Low,Low / Cleaning |
| Display | Trend graph, Measuring value, Measuring status, Temperature, Unit |
| Humidity | Max 90% (Non Condensing) |
| IP Rating | IP65 (NEMA 4X) |
| Size | 240mm(W) x 185mm(H) x 115(D) |
| Installation | Wall Mounting |

Control

When control of MLSS is required, this controller features a high and low relay output contact, or 4-20mA output which can be utilised to control sludge valves, WAS or RAS pumps based on plant operation design parameters

Alarms

When indication of alarms is required the DWA-3000A has a H,H/H/L/L,L & Cleaning which can be connected to warning lights or audible alarms to ensure an operator checks on the plant

Probe Cleaning Output

The added feature that this controller has, compared to others in the market is a probe clean relay output, which can be utilised to control a solenoid for wiper auto cleaning of the probe surface. (Especially useful in waste / industrial water plants)

DWA-3000B Mixed Liquor Suspended Solids Analyzer



The MLSS controller (DWA-3000B MLSS) Panel mount microprocessor has been built and designed to provide years of trouble free continuous online operation, It is designed to be only mounted in a panel and is designed to be connected and calibrated to various levels of MLSS probes.

This MLSS controller features fully automatic temperature compensation (Displayed on screen) and accuracy to within $\pm 2\%$ of full scale,

| Specifications | |
|----------------|---|
| MODEL | DWA-3000B MLSS |
| Channel | Single Channel |
| Range | 0~20,000mg/L (Resolution : 0.001mg/L) |
| Power | AC 110/220v 50/60Hz |
| Accuracy | $\pm 2\%$ of Full Scale |
| Response Time | 30 Seconds (90% Saturation) |
| Analog Output | Isolated 4-20mA DC (Std.) / 0~20mA, 0~24(Opt.) |
| Digital Output | RS-232C (Std.) / RS-485 (Opt.) |
| Relay Output | High, Low, Selection & Cleaning |
| Display | Trend graph, Measuring value, Measuring status, Temperature, Unit |
| Humidity | Max 90% (Non Condensing) |
| IP Rating | IP65 (NEMA 4X) |
| Size | 155mm(W) x 155mm(H) x 138(D) |
| Installation | (DIN 144) Panel Mounting |

Control

When control of MLSS is required, this controller features a high and low relay output contact, or 4-20mA output which can be utilised to control sludge valves, WAS or RAS pumps based on plant operation design parameters

Alarms

When indication of alarms is required the DWA-3000B has a High, Low, Selection & Cleaning which can be connected to warning lights or audible alarms to ensure an operator checks on the plant

Probe Cleaning Output

The added feature that this controller has, compared to others in the market is a probe clean relay output, which can be utilised to control a solenoid for wiper auto cleaning of the probe surface. (Especially useful in waste / industrial water plants)

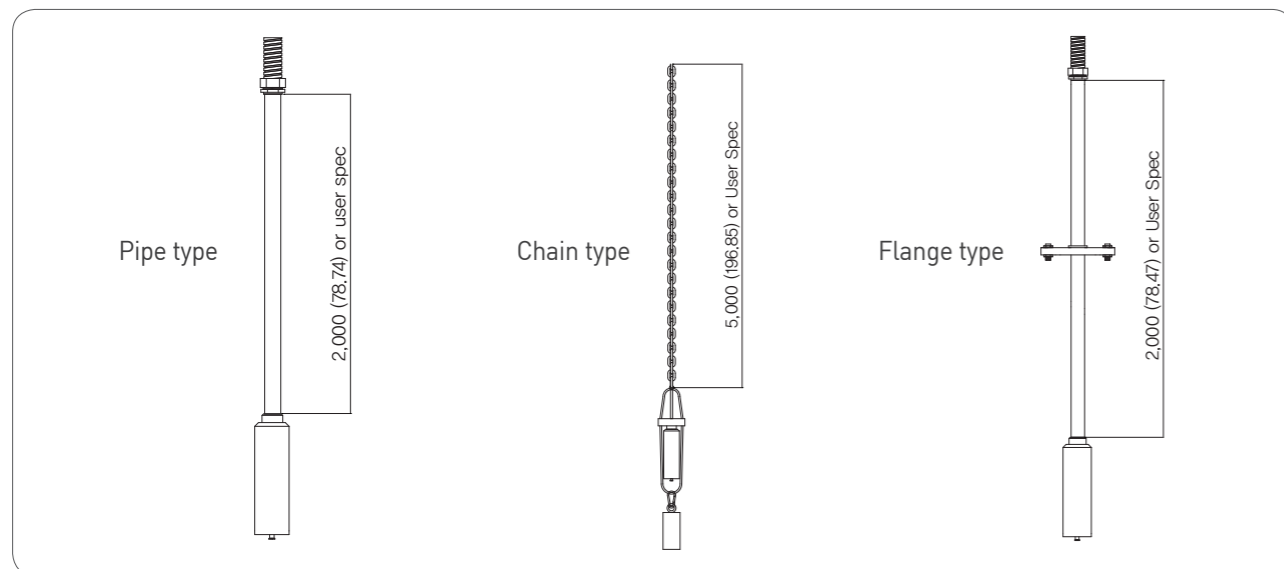
MLSS Sensor



| Model | MLSS-180N |
|---------------------|---|
| Principle | IR LED 880nm Scattering(45°) |
| Range | 0~20,000 mg/L |
| Body Material | PPS |
| Temp. Range | 0 ~ 80°C |
| Pressure | Max. 10kgf/cm ² |
| Cable | 20M(65.6ft) |
| Holder | Submersion/Flow-through |
| Holder Material | Pipe/Flange Type : PVC |
| IP Rating | IP68 |
| Additional Function | RS-232C Communication Function Built-in |

| Model | MLSS-180P |
|---------------------|---|
| Principle | IR LED 880nm Transmitted(180°) |
| Range | 0~20,000 mg/L |
| Body Material | PPS |
| Temp. Range | 0 ~ 80°C |
| Pressure | Max. 10kgf/cm ² |
| Cable | 20M(65.6ft) |
| Holder | Submersion/Flow-through |
| Holder Material | Pipe/Flange Type : PVC |
| IP Rating | IP68 |
| Additional Function | RS-232C Communication Function Built-in |

MLSS Holder Type



DWA-3000A Suspended Solids Analyzer



The Suspended Solids controller (DWA-3000A SS) Wall mount microprocessor has been built and designed to provide years of trouble free online operation, It is designed to be mounted on a wall and is engineered to be connected and calibrated to various levels of SS sensors.

This SS controller features fully automatic temperature compensation (Displayed on screen) and accuracy to within ±1% of full scale,

| Specifications | |
|----------------|---|
| MODEL | DWA-3000A SS |
| Channel | Single Channel |
| Range | 0~2,000mg/L (Resolution : 0.01mg/L) |
| Power | AC 110/220v 50/60Hz |
| Accuracy | ±1% of Full Scale |
| Response Time | 90 Seconds (90% Saturation) |
| Analog Output | Isolated 4-20mA DC (Std.) / 0~20mA, 0~24(Opt.) |
| Digital Output | RS-232C (Std.) / RS-485 (Opt.) |
| Relay Output | High, High / High / Low / Low, Low & Cleaning |
| Display | Trend graph, Measuring value, Measuring status, Temperature, Unit |
| Humidity | Max 90% (Non Condensing) |
| IP Rating | IP65 (NEMA 4X) |
| Size | 240mm(W) x 185mm(H) x 115(D) |
| Installation | Wall Mounting |

Control

When control of suspended solids is required, this controller features a high and low relay output contact, or 4-20mA output which can be utilised to control any part of a process to increase or decrease solids loads

Alarms

When indication of alarms is required the DWA-3000A has a H,H/H/L/L,L & Cleaning which can be connected to warning lights or audible alarms to ensure an operator checks on the plant

Probe Cleaning Output

The added feature that this controller has, compared to others in the market is a probe clean relay output, which can be utilised to control a solenoid for wiper auto cleaning of the probe surface. (Especially useful in waste / industrial water plants)

DWA-3000B Suspended Solids Analyzer



The Suspended Solids controller (DWA-3000B SS) Panel mount microprocessor has been built and designed to provide years of trouble free continuous online operation, It is designed to be only mounted in a panel and is designed to be connected and calibrated to various levels of SS probes.

This SS controller features fully automatic temperature compensation (Displayed on screen) and accuracy to within ±1% of full scale,

| Specifications | |
|----------------|---|
| MODEL | DWA-3000B SS |
| Channel | Single Channel |
| Range | 0~2,000mg/L (Resolution : 0.01mg/L) |
| Power | AC 110/220v 50/60Hz |
| Accuracy | ±1% of Full Scale |
| Response Time | 90 Seconds (90% Saturation) |
| Analog Output | Isolated 4-20mA DC (Std.) / 0~20mA, 0~24(Opt.) |
| Digital Output | RS-232C (Std.) / RS-485 (Opt.) |
| Relay Output | High, Low, Selection & Cleaning |
| Display | Trend graph, Measuring value, Measuring status, Temperature, Unit |
| Humidity | Max 90% (Non Condensing) |
| IP Rating | IP65 (NEMA 4X) |
| Size | 155mm(W) x 155mm(H) x 138(D) |
| Installation | (DIN 144) Panel Mounting |

Control

When control of suspended solids is required, this controller features a high and low relay output contact, or 4-20mA output which can be utilised to control any part of a process to increase or decrease solids loads

Alarms

When indication of alarms is required the DWA-3000B has a High, Low, Selection & Cleaning which can be connected to warning lights or audible alarms to ensure an operator checks on the plant

Probe Cleaning Output

The added feature that this controller has, compared to others in the market is a probe clean relay output, which can be utilised to control a solenoid for wiper auto cleaning of the probe surface. (Especially useful in waste / industrial water plants)

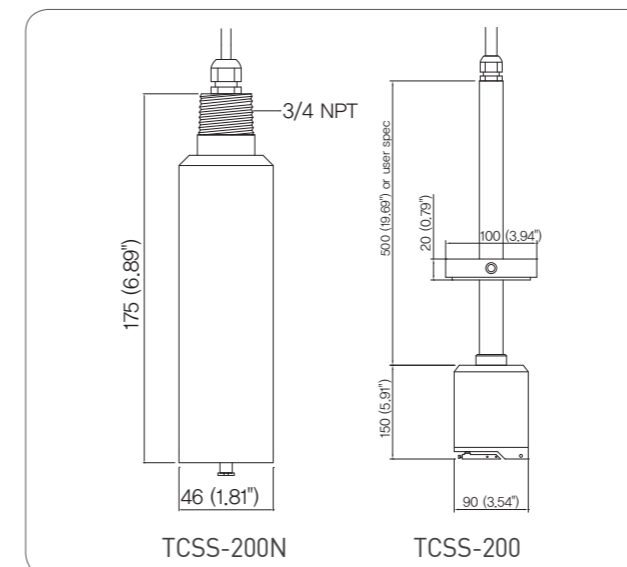
SS Sensor



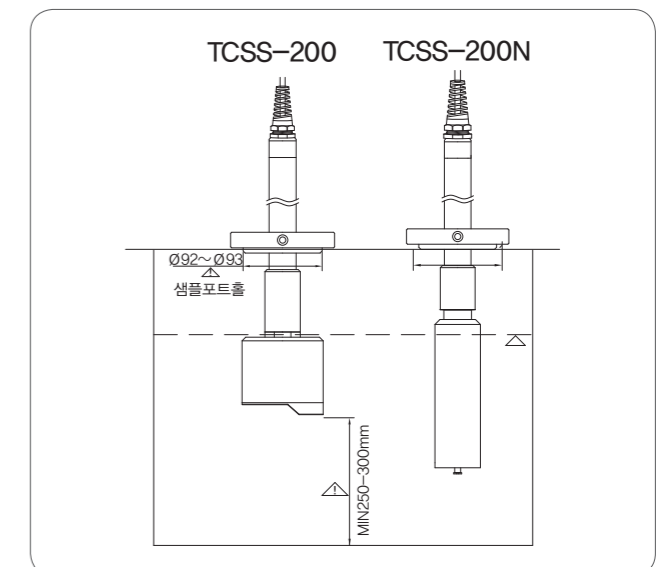
| Model | TCSS-200N |
|---------------------|---|
| Principle | IR LED 880nm Scattering(45°) |
| Range | 0~2,000 mg/L |
| Body Material | PPS |
| Temp. Range | 0 ~ 80 °C |
| Pressure | Max. 10kgf/cm ² |
| Cable | 20M(65.6ft) |
| Holder | Submersion/Flow-through |
| Holder Material | Pipe/Flange Type : PVC |
| IP Rating | IP68 |
| Additional Function | RS-232C Communication Function Built-in |

| Model | TCSS-200 |
|---------------------|------------------------------|
| Principle | IR LED 880nm Scattering(45°) |
| Range | 0~200 mg/L |
| Body Material | Acetal |
| Temp. Range | 0 ~ 80 °C |
| Pressure | Max. 10kgf/cm ² |
| Cable | 15M(49.2ft) |
| Holder | Submersion/Flow-through |
| Holder Material | STS304 |
| IP Rating | IP68 |
| Additional Function | - |

SS Dimensions



Installation (TMS)



DWA-3000A Turbidity Analyzer



The turbidity controller (DWA-3000A-TBD) Wall mount microprocessor has been built and designed to provide years of trouble free continuous online operation, It is designed to be only mounted in a panel and is designed to be connected and calibrated to various levels of conductivity probes.

This turbidity controller features fully automatic temperature compensation (Displayed on screen) and accuracy to within 1% of full scale,

| Specifications | |
|----------------|---|
| MODEL | DWA-3000A TBD |
| Channel | Single Channel |
| Range | 0~400 NTU (Resolution : 0.0001NTU) |
| Power | AC 110/220v 50/60Hz |
| Accuracy | ±1% of Full Scale |
| Response Time | 60 Seconds (90% Saturation) |
| Analog Output | Isolated 4-20mA DC (Std.) / 0~20mA, 0~24(Opt.) |
| Digital Output | RS-232C (Std.) / RS-485 (Opt.) |
| Relay Output | High,High / High / Low / Low,Low / Cleaning |
| Display | Trend graph, Measuring value, Measuring status, Temperature, Unit |
| Humidity | Max 90% (Non Condensing) |
| IP Rating | IP65 (NEMA 4X) |
| Size | 240mm(W) x 185mm(H) x 115(D) |
| Installation | Wall Mounting |

Control

When control of valves or pumps is required, this controller features a high and low relay output contact, or 4-20mA output which can be utilised to control many process requirements of a system

Alarms

When indication of alarms is required the DWA-3000A has a H,H/H/L/L,L & Cleaning which can be connected to warning lights or audible alarms to ensure an operator checks on the plant

Lamp Cleaning Function

The added feature that this controller has, compared to others in the market is a probe clean relay output, which can be utilised to control a solenoid for auto drian of the probe surface. (Especially useful in waste / industrial water plants)

DWA-3000B Turbidity Analyzer



The turbidity controller (DWA-3000B-TBD) Panel mount microprocessor has been built and designed to provide years of trouble free continuous online operation, It is designed to be only mounted in a panel and is designed to be connected and calibrated to various levels of conductivity probes.

This turbidity controller features fully automatic temperature compensation (Displayed on screen) and accuracy to within ±1% of full scale,

| Specifications | |
|----------------|---|
| MODEL | DWA-3000B TBD |
| Channel | Single Channel |
| Range | 0~400 NTU (Resolution : 0.0001NTU) |
| Power | AC 110/220v 50/60Hz |
| Accuracy | ±1% of Full Scale |
| Response Time | 60 Seconds (90% Saturation) |
| Analog Output | Isolated 4-20mA DC (Std.) / 0~20mA, 0~24(Opt.) |
| Digital Output | RS-232C (Std.) / RS-485 (Opt.) |
| Relay Output | High, Low, Selection & Cleaning |
| Display | Trend graph, Measuring value, Measuring status, Temperature, Unit |
| Humidity | Max 90% (Non Condensing) |
| IP Rating | IP65 (NEMA 4X) |
| Size | 155mm(W) x 155mm(H) x 138(D) |
| Installation | (DIN 144) Panel Mounting |

Control

When control of turbidity is required, this controller features a high and low relay output contact, or 4-20mA output which can be utilised to control many process requirements of a system

Alarms

When indication of alarms is required the DWA-3000B has a High, Low, Selection & Cleaning which can be connected to warning lights or audible alarms to ensure an operator checks on the plant

Lamp Cleaning Function

The added feature that this controller has, compared to others in the market is a probe clean relay output, which can be utilised to control a solenoid for auto drian of the probe surface. (Especially useful in waste / industrial water plants)

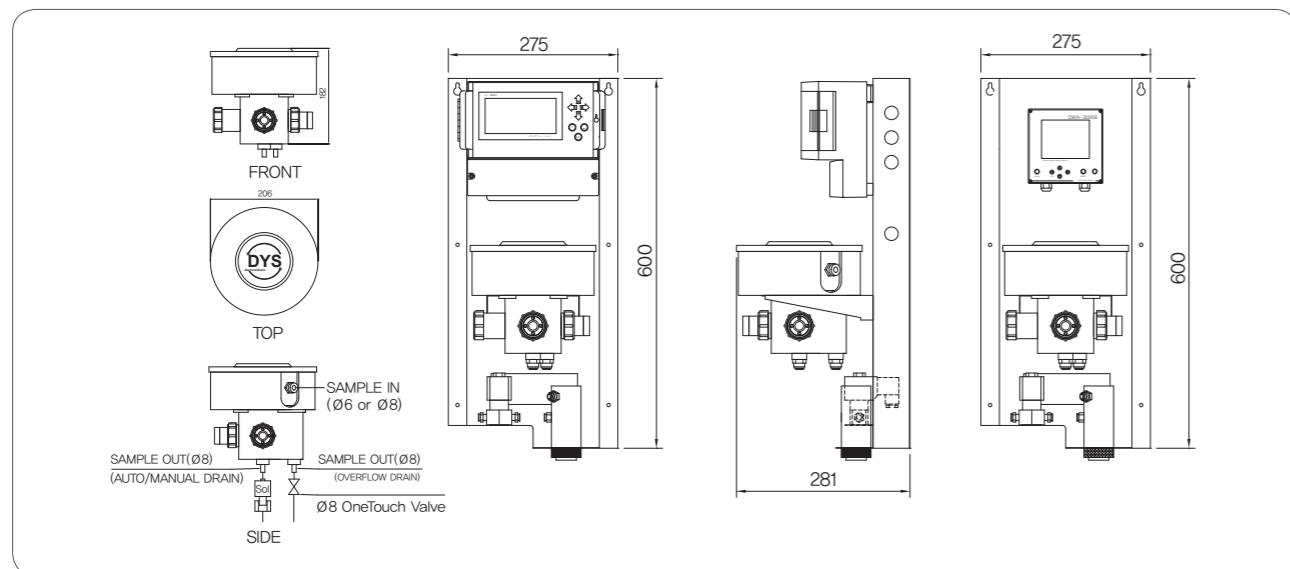
Turbidity Sensor



| Model | TURB-900 |
|-----------------|--|
| Application | Purification, Ultrapure water |
| Principle | IR LED 880nm Scattering(90°) |
| Range | 0~10 NTU(Std.) or User Spec. |
| Sensor Material | Acetal, Sapphire |
| Temp. Range | 0 ~ 80 °C |
| Pressure | Max. 3kgf/cm ² |
| Cleaning | Auto Drain Cleaning |
| Bubble Removal | Bubble Track(Elimination air Bubble) |
| Method | Structure Before inflow Sensing module |
| In-Fitting | One Touch Connector(6mm Air Hose) |
| out-Fitting | One Touch Connector(12mm Air Hose) |
| Accessories | Base Plate, Acrylic Cistern |

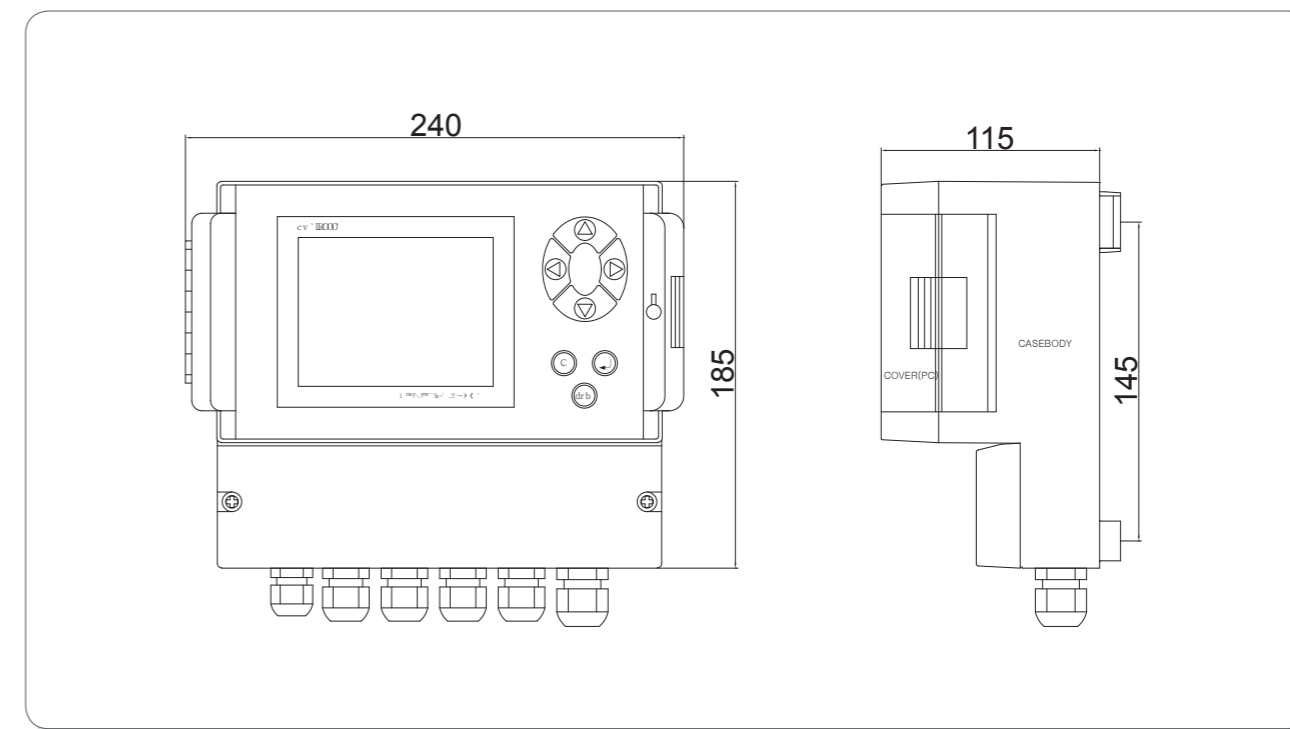
| Model | TURB-9100 |
|-----------------|--|
| Application | Raw Water |
| Principle | IR LED 880nm Scattering(90°) |
| Range | 0~400 NTU or User Spec. |
| Sensor Material | Acetal, Sapphire |
| Temp. Range | 0 ~ 80 °C |
| Pressure | Max. 3kgf/cm ² |
| Cleaning | Auto Drain Cleaning |
| Bubble Removal | Bubble Track(Elimination air Bubble) |
| Method | Structure Before inflow Sensing module |
| In-Fitting | One Touch Connector(6mm Air Hose) |
| out-Fitting | One Touch Connector(6mm Air Hose) |
| Accessories | Base Plate, Acrylic Cistern |

Turbidity Dimensions

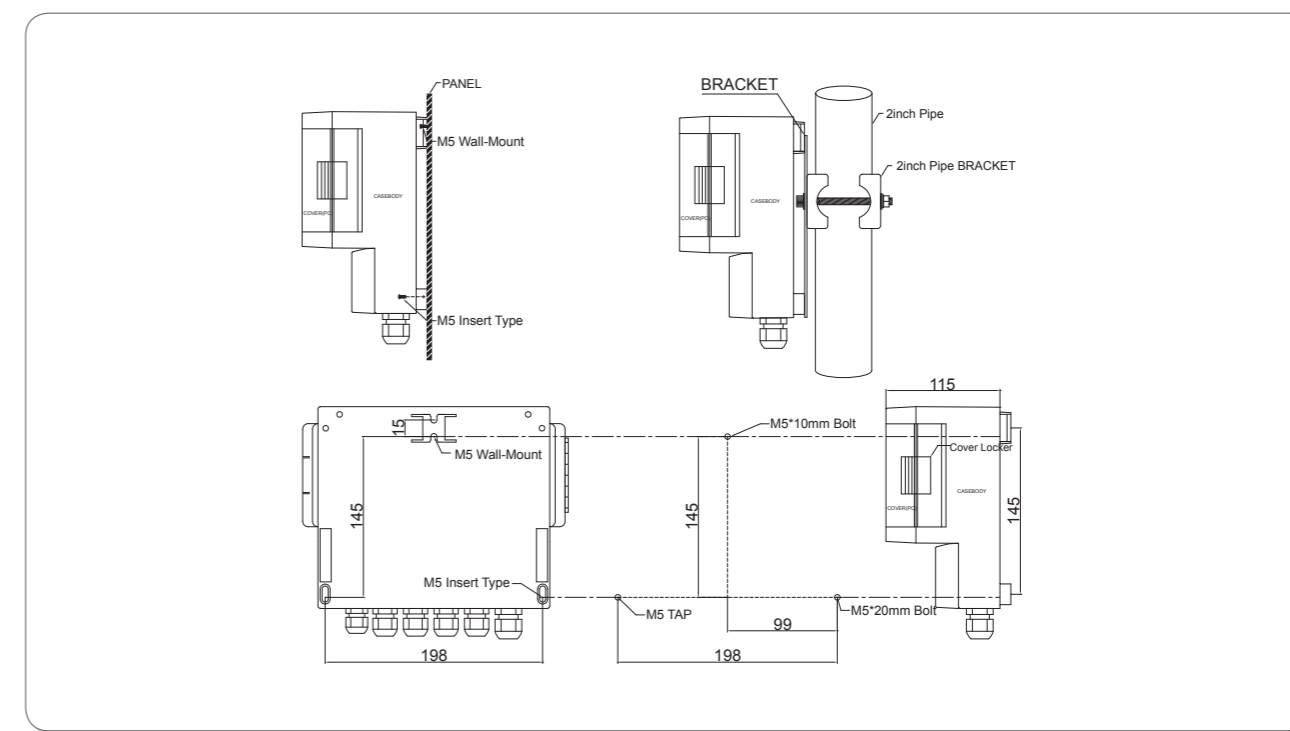


Mounting Example

DWA-3000A Dimension

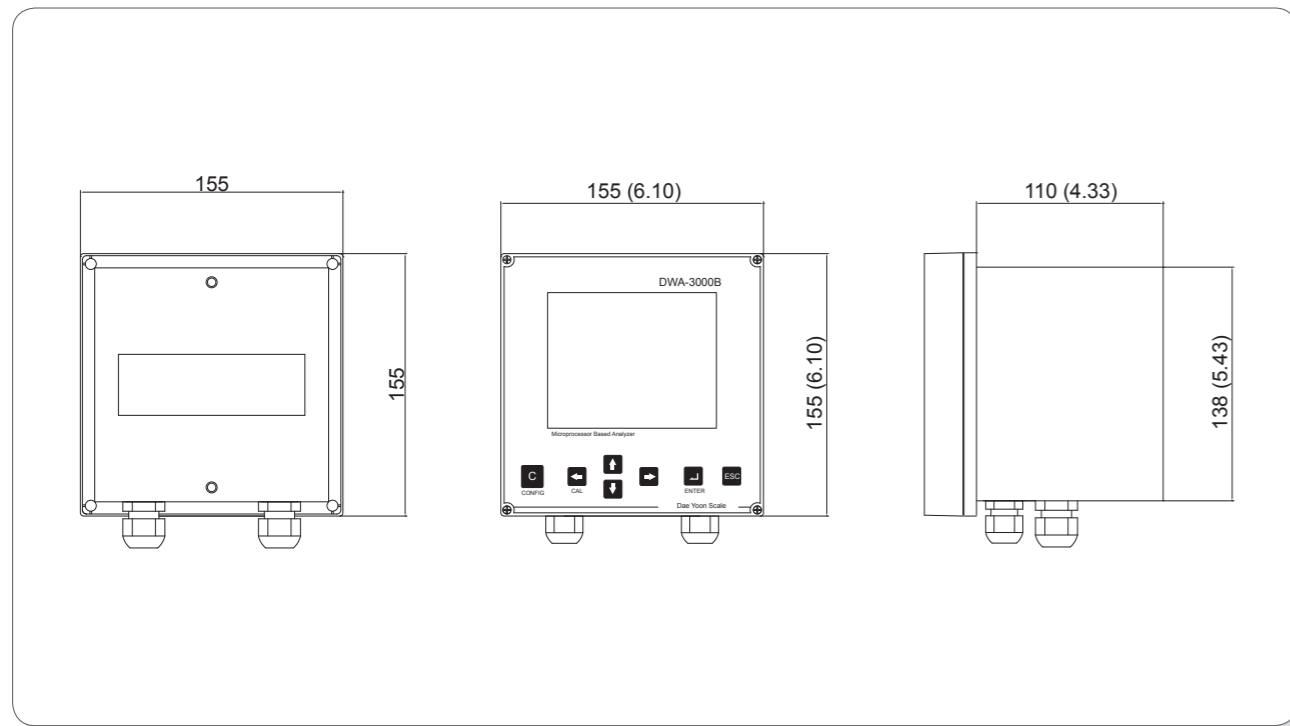


Installation

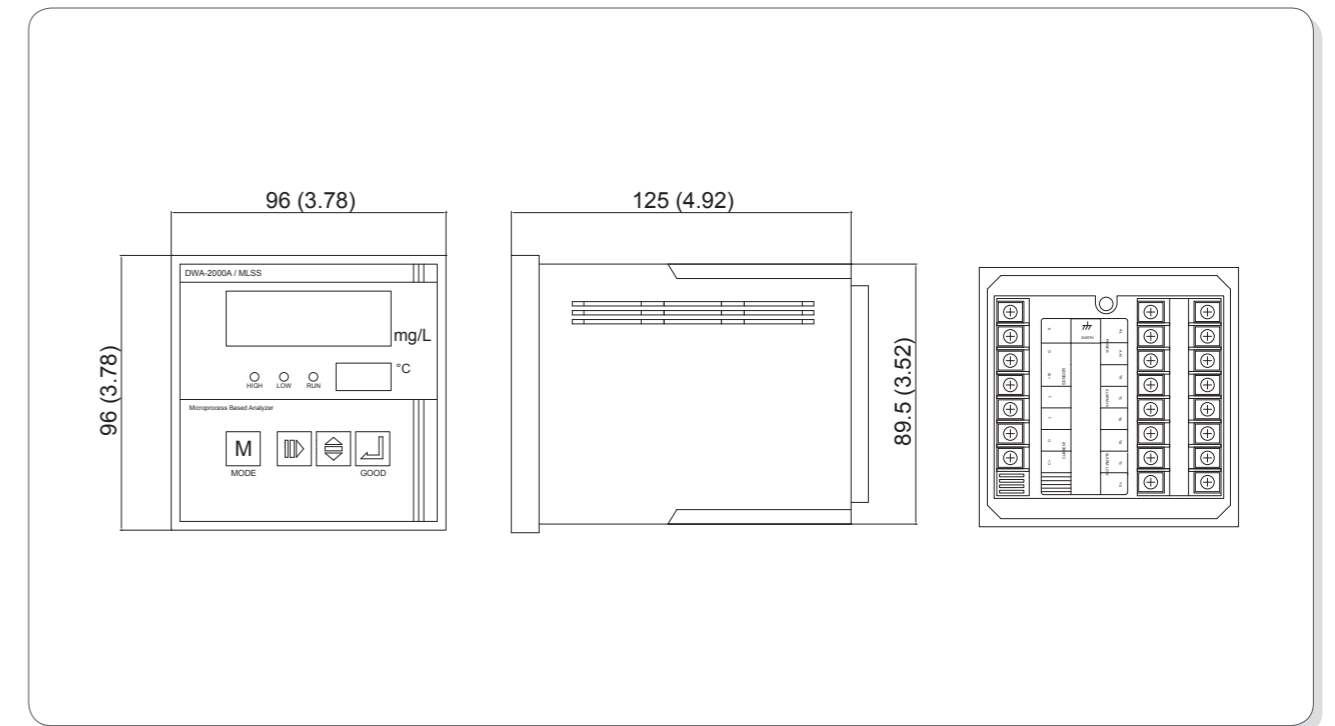


Mounting Example

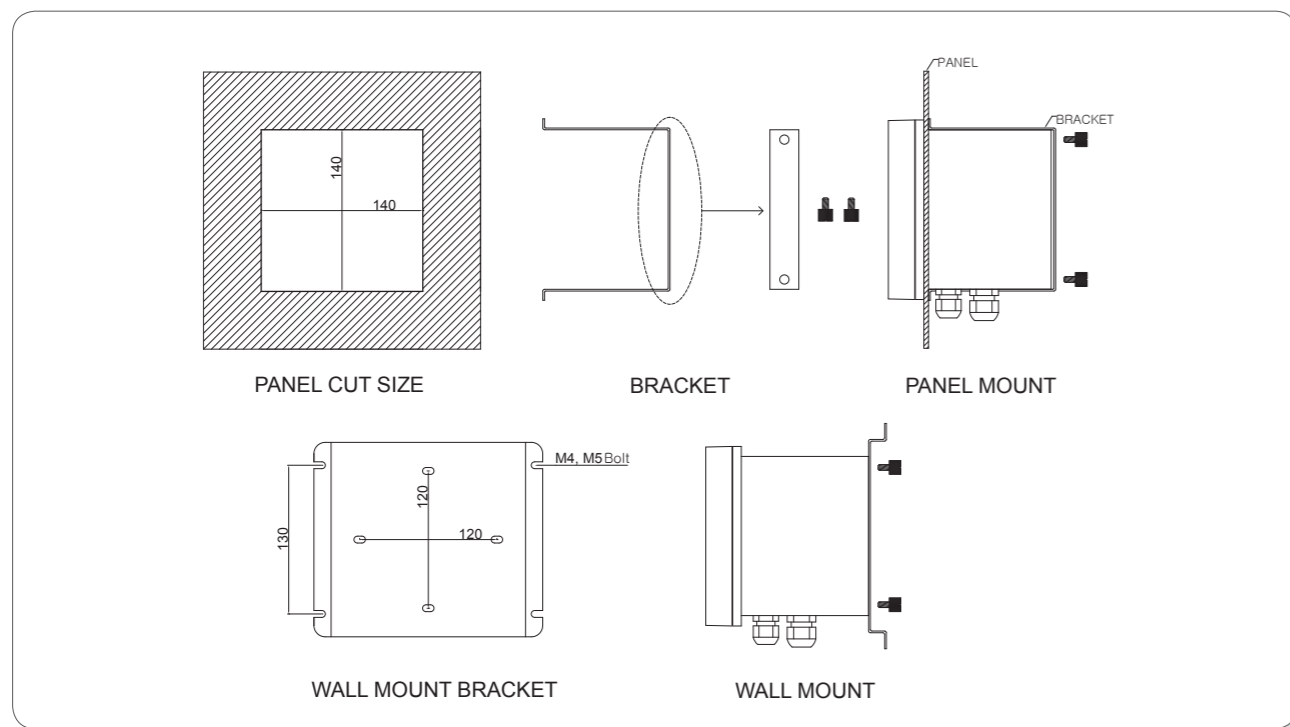
DWA-3000B Dimension



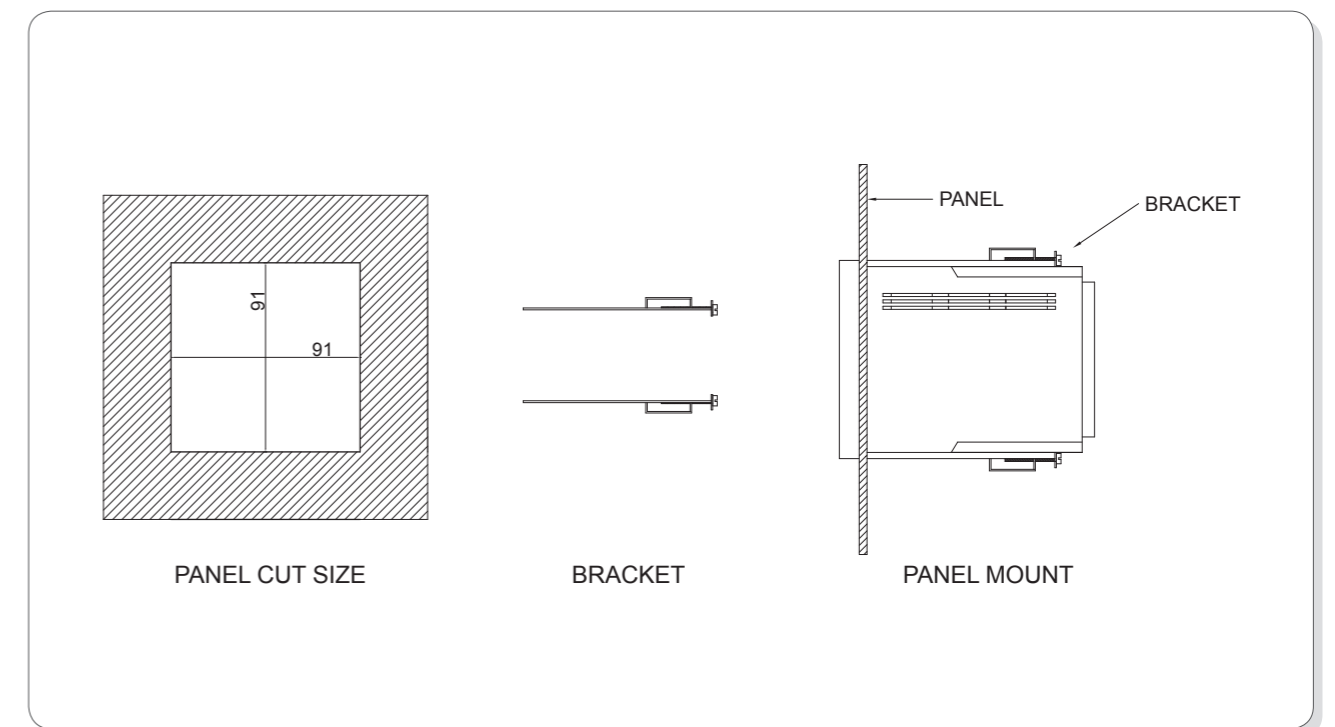
DWA-2000A Dimension



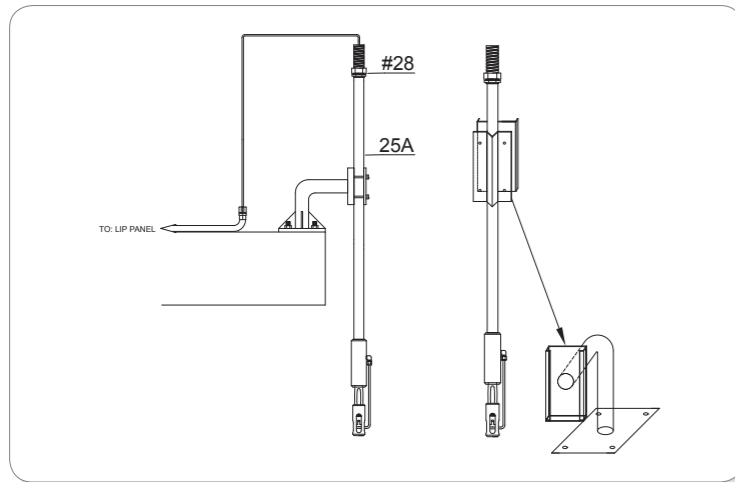
Installation



Installation

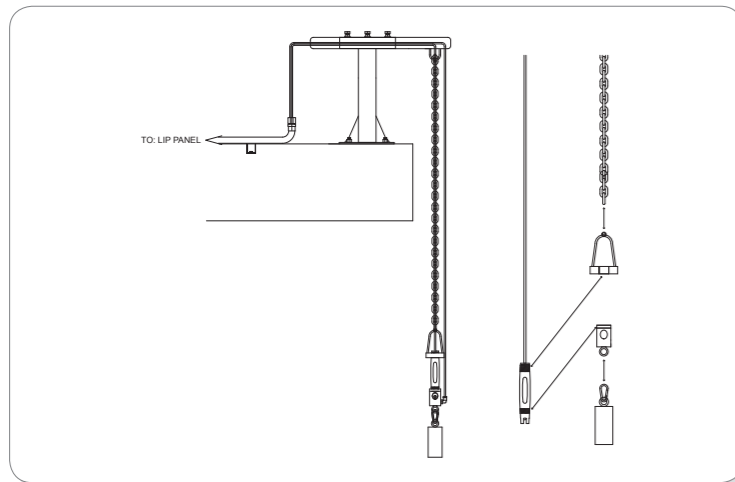


Submersion Type Installation



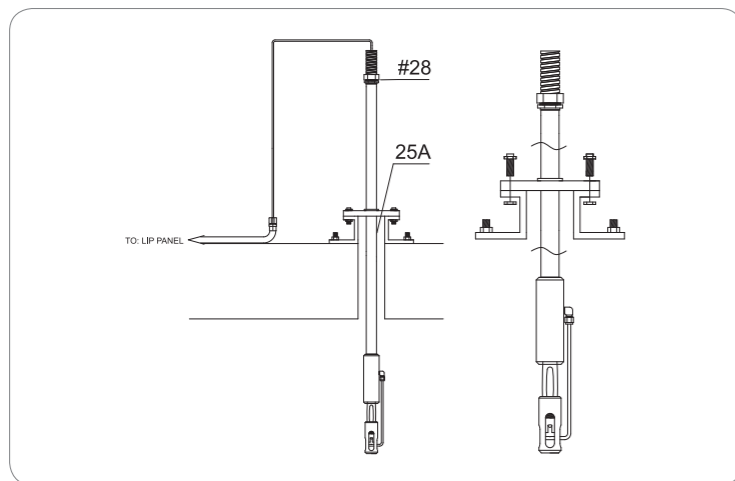
Pipe type

- Apply to Wastewater Treatment process
- Pipe Type Submersible Holder
- Fix a pipe by exclusive use bracket
- Cleaning system optional
- Holder Length can be available user's spec.
- Holder Length need 3M more, encourage chain type
- Pipe length 1M, 2M or more increase can be possible.
- Pipe material : PVC/PP(Std.), STS304(Optional).
- Bracket Material : STS304.



Chain type

- Applied at installation in deep water
- Pipe Type Submersible Holder
- Fix a pipe by exclusive use bracket.
- Cleaning system optional
- This Holder need when installate in deep Water
- Hang weight at the bottom of sensor.
- Easy to carry
- Chain Length : 5M.
- Chain Material : STS304
- Bracket Material : STS304.



Flange type

- Flange Type Submersible Holder
- The Upper Part of enclosed tank, Flush type underground sewage disposal plant
- The Choice of Flange type can be available
- Provide Flange mounted Pipe
- Flange can be available Fixed / Height-Adjustable Type
- Cleaning system optional
- Holder Length can be available user's spec
- Pipe length 1M, 2M or more increase can be possible.
- Pipe Material : PVC/PP(Std.), STS304(Option).
- Flange Material : PVC/PP(Std.), STS304(Option)
- Bracket Material : STS304.

<Field Test System>

Concrete Air Meter (DYA-107)

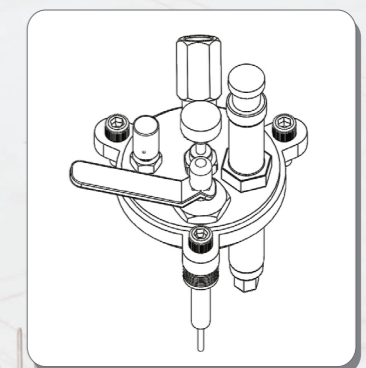
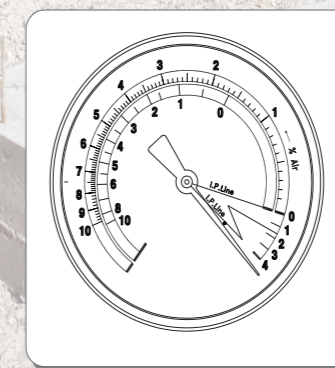
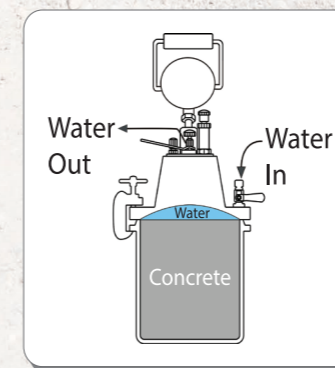


: Air meters are employed to supervise the effects of air entraining agents in a concrete mixture.

TECHNOLOGY

- Measuring Method : Water filled / No-Water
- Measuring Range : 0~10%
- Base Container : 7L, Lightweight cast Aluminium alloy
- Resolution :
Water filled : 0~8% > 0.1%, 8~10% > 0.2%
No-Water : 0~7% > 0.1%, 7~10% > 0.2%
- Accuracy : 0~7% (±0.1%)
7~10% (±0.2%)
- Gauge : Bourdon Tube Type Pressure Gauge
- Total Weight : Abt. 8kg

Washington Type



CE

NEW

Ideal for Construction sites /
Ready-Mixed Concrete works...

CHLORIDE-METER (DY-2501A)

< Field Test System >



"Measures the content of Chloride contained in concrete"

- Range : 0.001% ~ 1.500% (Cl⁻)
- Automatic Temp. Compensation (ATC)
- All-Function-In-One (Calibration/Measurement/Printing etc.)
- Dual Digital Digit LCD
- Memory Recalling holds 100 Readings.
- Easy to carry & operate (Portable)
- Fast Results : Abt. 2 Min



DYS Daeyoon Scale Industrial Co., Ltd.

CE

Portable

< Field Test System >

CHLORIDE-METER (DY-2501B)

For Hardened Concrete

"Both Hardened & Fresh Concrete can be tested with this system for chloride"

- Measurement:
 - Content of Acid Soluble chloride (%)
 - Content of Water-Soluble chloride (%)
 - Total Volume of chloride (kg/m³)
- Range: 0.0005 % ~ 2.0000 % (Cl⁻)
- Measuring Method: By Combi chloride ISEs
- All Function-In-One
- Automatic Temp. Compensation (ATC)
- Memory Recalling holds 100 Readings
- Digital Digit LCD
- Fast Response: Abt. 2 Min
- CE Mark Acquired

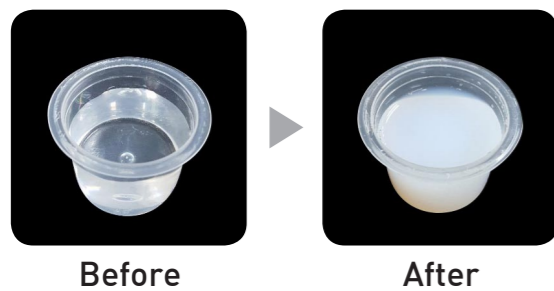


DYS Daeyoon Scale Industrial Co., Ltd.

#207 Ace Techno Tower(II), 197-7 Guro3-dong, Guro-gu, Seoul, Korea (152-848)
Tel: 82-2-858-6870 Fax: 82-2-866-9422
E-mail: chloride@kita.net http://chloride.en.ecplaza.net

Coulometric titration based portable CHLORIDE METER DY-2504

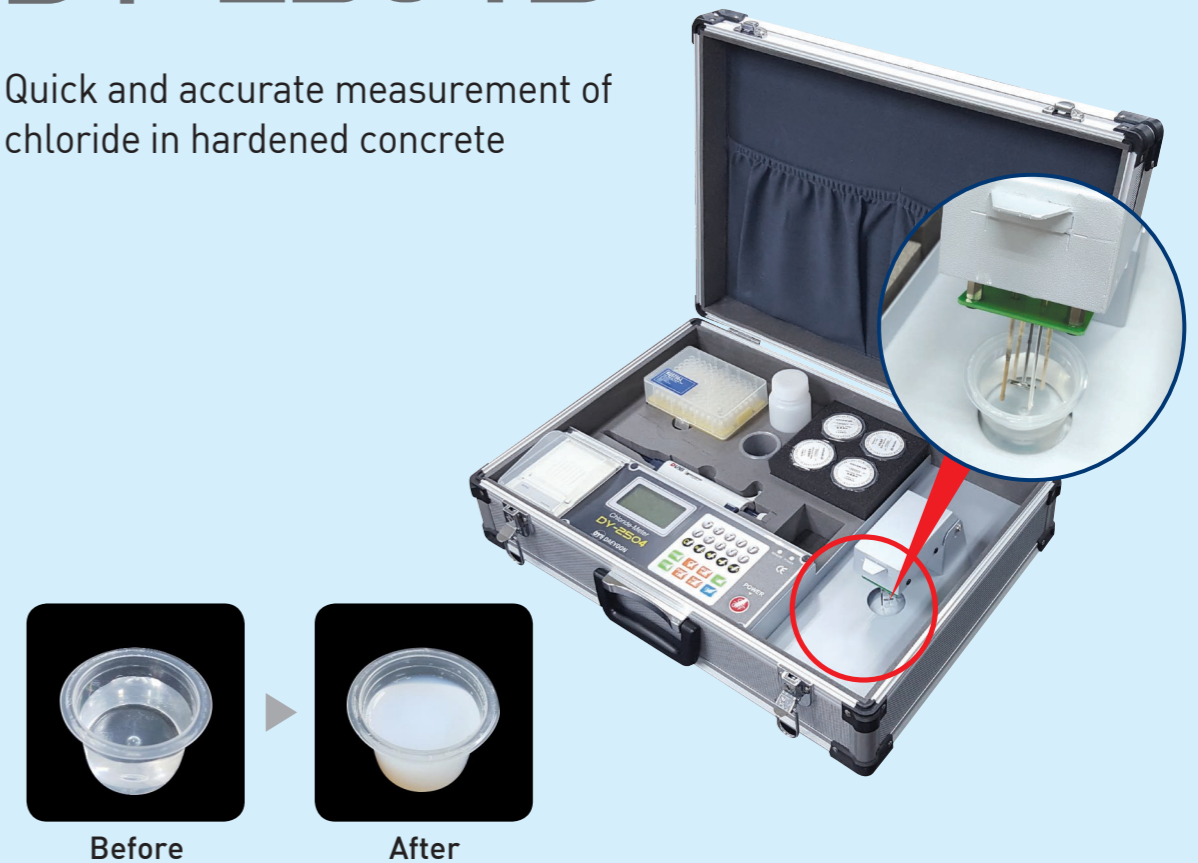
Quick and accurate measurement of chloride in cement, aggregate and fresh concrete



- Coulometric titration based portable equipment
- Measurement items
Chloride content (%)
Total chloride content (kg/m³)
- Measurement range 0.001 % ~ 2.0 %
- Small sample volume (0.2 mL)
- Remarkable short responses time (about 2 minutes)
- Store once mode for up to 100 measurements
- Portable type All-in-One (Calibration, measurement, and printing etc.)
- Automatic shutdown for power saving
- CE Certified

Coulometric titration based portable hardened concrete CHLORIDE METER DY-2504B

Quick and accurate measurement of chloride in hardened concrete



- Coulometric titration based portable equipment
- Measurement items
Acid-soluble chloride content (%)
Water-soluble chloride content (%)
Total chloride content (kg/m³)
- Measurement range
0.001 % ~ 1.0 %
- Small sample volume (1 mL)
- Remarkable short responses time (about 2 minutes)
- Store once mode for up to 100 measurements
- Portable type All-in-One (Calibration, measurement, and printing etc.)
- Automatic shutdown for power saving
- CE Certified

CE **Digital Marine Tester (DMT-10)**
Specific Gravity / Salinity / Temperature

3 IN 1

Specific Gravity : 1.000 ~ 1.037
 Salinity(ppt) : 0ppt ~ 50ppt
 Temperature(°C or °F)




3 IN 1

Specific Gravity : 1.000 ~ 1.037
 Salinity(ppt) : 0ppt ~ 50ppt
 Temperature(°C or °F)

- Please be fully aware of Operation Manual before using this one
- Accurate measurement depends on careful calibration
- * Measures Specific Gravity/Salinity(ppt)/Temperature(°C or °F)
- * Handheld Digital Tester : Easy to read Digital LCD & operate
- * Automatic Temperature Compensation & Waterproof probe
- * Laboratory grade for precision accuracy
- * Fast-Response : Instantly get results within 10 sec.
- * Battery Saving Function : Automatically turns off within 1 min.

CE **Handheld Digital Salt Tester (DMT-20)**
Salt / Temperature



“This product measures the concentration of dissolved Salt in water using this Meter”

- ▶ **Technology : 2 in 1 Functions**
 - Measurement : Salt(%) / Temp(°C / °F)
 - Range : 0.0 ~ 5.0% (Salt)
 - Operating Temp : 0°C ~ 70°C (32°F ~ 158°F)
- ▶ **Application Fields : (Home / Food Industry / Health-Care / Industry)**
 - 1) Indispensable for those with SALT health concerns
 - 2) Preservation of fixed taste of food
 - 3) Salt Amount of Food Measurement



Digital Salt Checker

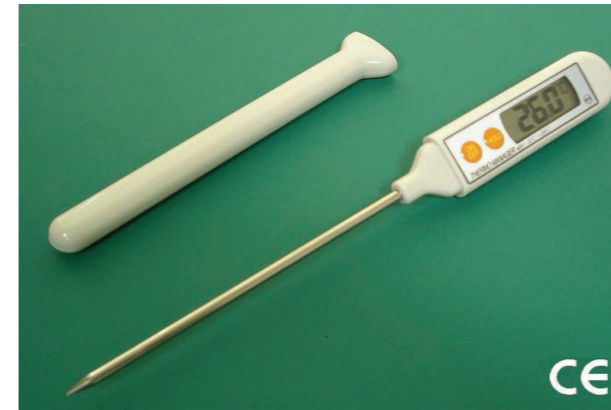


Take Control of Your Salt Intake!

Features

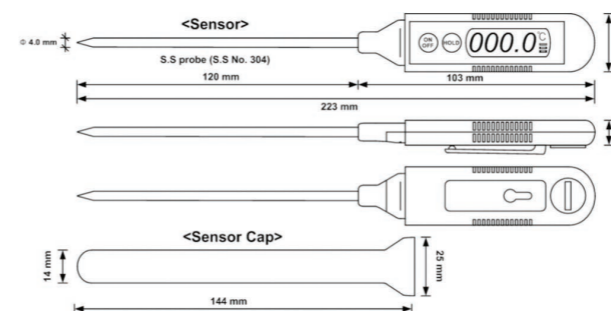
- ▶ Salt Range : 0.0 ~ 5.00%
- ▶ Temperature: ATC (0°C ~ 70°C)
- ▶ Preservation of Fixed Taste of Food
- ▶ Salt Amount of Food Measurement

Digital Thermometer HDT-1



Specification

- Range : -50°C~300°C (-58°F~572°F)
- Resolution : ±0.1°C
- Power : LR44 or LR1154 button cell (1.5V) x 1ea
- Battery Life : Abt. 12 months
Based on 2 times use per day
- Dimension / Weight : 25 x 11 x 223mm / Abt.35g
- Material : 1 → Sensor Probe : S.S No.304
2 → Body : ABS plastic



Description

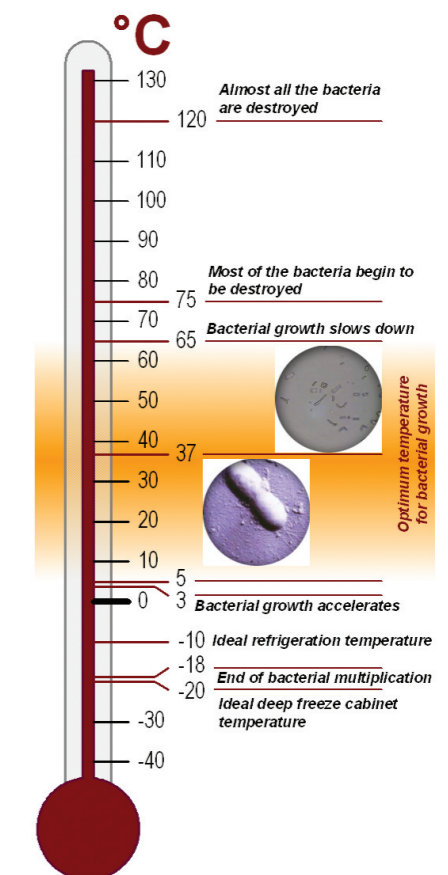
- This Meter measures the Temperature in Liquids / Solids. (All Hot & Cold fluids/solids)

Application Fields

- Kitchen & Bakeries / - Oil for Frying
- Storage / Cold-storage Foods Temp. of Freezing
- Freezers / Coolers and Heating Systems
- Hydroponics & Aquaculture
- Motor Maintenance, Generator Systems etc.
- Surface of the earth Temp of Flower / Flowerpot

Feature

- Very Competitive Price (Under Bottom Price)
- Complete with Hand-Held type
- Durable ø4.0 S.S Probe (S.S NO.304)
- Wide Temp range & Large LCD Display
- Fast response
- CE Mark accredited





Certification No. *ISCQM-0845*

Quality Management System Certificate

Daeyoon Scale Industrial Co., Ltd.

(Ace Techno Tower 2nd, Guro-dong)
#207, 19, Digital-ro 31-gil, Guro-gu, Seoul, Korea

This is to certify that the Quality Management System of the above company is appropriate to the standard and the scope listed below, in accordance with registration system provision of this certification body.

Certification Standard :
KS Q ISO 9001:2009 / ISO 9001:2008

Certification Scope :
The Manufacture of Measuring Instruments[Water Quality Analyzer(pH/ORP, DO, Cond, COD/BOD, RC, MLSS/SS, Turb, SD, TN/TP, etc), Salinometer, Air Meter, Unit Water Measuring, etc].

| | | |
|-------------------------------------|-----------------------|---------------------------|
| <u>DATE OF INITIAL REGISTRATION</u> | <u>DATE OF EXPIRY</u> | <u>DATE OF LAST ISSUE</u> |
| 06 APRIL 2016 | 07 MAY 2019 | 08 MAY 2016 |




y. c. kwon

International Standard Certification Co., LTD
Authorized Signatory

The accreditation mark indicates that ISC has been accredited as one of certification bodies (NO. KAB-QC-28) for ISO9000 by KAB.
804ho, 12, Ojossan-ro 45beon-gil, Gyeyang-gu, Incheon, Korea TEL. +82-32-552-1205

EC Declaration Of Conformity

CE

according to Low Voltage Directive 2006/95/EC
and EMC Directive 2004/108/EC

We herewith declare,

Daeyoon Scale Industrial Co., Ltd.
#207 Ace Techno Tower, 197-17, Guro 3-Dong,
Guro-Gu, Seoul 152-766, KOREA.

that the following equipment complies with the appropriate basic safety and health requirements of the EC Directive based on its design and type, as brought into circulation by us. In case of alteration of the equipment, not agreed upon by us, this declaration will lose its validity.

Product : Industrial, Scientific and Medical equipment
Water Analyzer

Model (s) : DWA-3000A

Parameters :

| | |
|---|-----------------|
| Rated Input Voltage | : 100-230 Va.c. |
| Rated Frequency | : 50/60Hz |
| Rated Power | : 3VA |
| Protection Class | : 1 |
| Pollution degree | : 2 |
| Degree of protection against ingress of liquids | : IPX0 |

Test Standards:

| | |
|--------------|--------------------------------|
| EN 61010-1 | : 2001 |
| EN 61326 | : 1997/A1:1998/A2:2001/A3:2003 |
| EN 61000-3-2 | : 2000 |
| EN 61000-3-3 | : 1995/A1:2001 |

Authorized Signature : *Seo H.O.* / October, 02, 2007
Title of Signature : IN - HO, SEO / President

EC Declaration Of Conformity

CE

according to Low Voltage Directive 2006/95/EC
and EMC Directive 2004/108/EC

We herewith declare,

Daeyoon Scale Industrial Co., Ltd.
#207 Ace Techno Tower, 197-17, Guro 3-Dong,
Guro-Gu, Seoul 152-766, KOREA.

that the following equipment complies with the appropriate basic safety and health requirements of the EC Directive based on its design and type, as brought into circulation by us. In case of alteration of the equipment, not agreed upon by us, this declaration will lose its validity.

Product : Industrial, Scientific and Medical equipment
Water Analyzer

Model (s) : DWA-3000B

Parameters :

| | |
|---|-----------------|
| Rated Input Voltage | : 100-230 Va.c. |
| Rated Frequency | : 50/60Hz |
| Rated Power | : 3VA |
| Protection Class | : 1 |
| Pollution degree | : 2 |
| Degree of protection against ingress of liquids | : IPX0 |

Test Standards:

| | |
|--------------|------------------------|
| EN 61010-1 | : 2001 |
| EN 61326 | : 2006 |
| EN 61000-3-2 | : 2006 |
| EN 61000-3-3 | : 1995/A1:2001/A2:2005 |

Authorized Signature : *Seo H.O.* / September, 04, 2008
Title of Signature : IN - HO, SEO / President

Water Quality Measuring ON-LINE System



Dae Yoon Scale Industry Co., Ltd.

#207 Ace Techno tower(Ⅱ), 197-7, Guro-3dong, Guro-gu,
Seoul, Korea (152-766)

TEL : 82-2-858-6870 FAX : 82-2-866-9422

E-mail : chloride@kita.net <http://chloride.en.ecplaza.net>